



Servo Controlled Riveting Machine



Pneumatic Riveting Machine



MADE IN TURKEY

Advantages and Innovative Aspects

- No Air Consumption
- Energy Efficiency
- Suitability of Automation System by PLC Control
- Fixing the height of rivet head by measuring the length of rivet
- Precise Position Control
- Adjustable Tool Stroke
- Easy adaptation to assembly lines by modular design
- CE Conformity



AUTOMOTIVE



ELECTRIC



FURNITURE



MEDICAL



WINDOW SYSTEMS



HAND TOOLS



ISO 9001
LL-C (Certification)

TECHNICAL DATA

Model No	SOP-10	SOP-20	OP-05	OP-10	OP-20	OP-30	OP-40
Max. Rivet Shank	10	20	6	10	14	18	24
Air Pressure (Bar)	—	—	2-6	2-6	2-7	2-8	15 *
Riveting Force (kN)	2	4	0.6	1.4	2.6	3.3	4.5
Stroke (mm)	0- 80**	0- 100**	25	50	50	50	50
Adjustable Stroke (mm)	80	100	10	20	20	20	20
Angle of Inclination	5°	5°	5°	5°	5°	5°	5°
Integration with Automation Systems	PLC	PLC	Ops.	Ops.	Ops.	Ops.	Ops.
Programmable	•	•	—	—	—	—	—
Touch Screen	•	•	Ops.	Ops.	Ops.	Ops.	Ops.
Timer	•	•	•	•	•	•	•
Adjustable Speed	0-25**	0-25**	—	—	—	—	—
Emergency Stop Module	•	•	•	•	•	•	•
Double Hand Operation	•	•	•	•	•	•	•
Safety Light Curtain	Ops.	Ops.	Ops.	Ops.	Ops.	Ops.	Ops.
Height of Rivet Head Precision (0,01 mm)	Ops.	Ops.	—	—	—	—	—
Power Supply	380V	380V	220V	220V	220V	220V	220V
Internal Supply Voltage	24V DC	24V DC	24V DC	24V DC	24V DC	24V DC	24V DC

* Hydraulic Pressure
** Adjustable

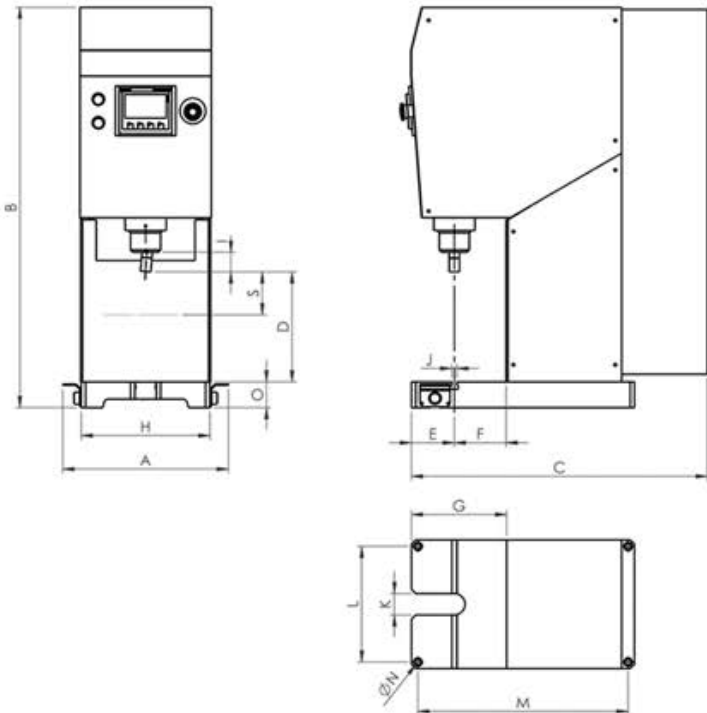
Ops.: Opsiyonel

DIMENSIONS (mm)

	A	B	C	D	E	F	G	H	I	J	K	L	M	N	O	P	S
SOP-10	385	820	790	240	100	120	220	300	30	12	50	270	490	13	60	0-80	80
SOP-20	385	935	690	257	100	120	220	300	45	12	50	270	490	13	60	0-100	100
OP-05	599	935-1034	564	160-259	125	140	265	270	30	12	50	245	470	13	55	10	25
OP-10	600	935-1035	565	160-260	125	140	265	270	30	12	50	245	470	13	55	20	50
OP-20	600	1135-1235	565	160-260	125	140	265	270	30	12	50	245	470	13	55	20	50
OP-30	600	1135-1235	565	160-260	125	140	265	270	45	12	50	245	470	13	55	20	50
OP-40*	600	935-1035	565	160-260	125	140	265	270	45	12	50	245	470	13	55	20	50

*Hidrolik S: Stroke P: Stroke Adjustment Dimension B and D 100 mm (4x25)

SOP



OP

